

PREMIER 1 WORKBENCH RANGE

PREMIER 1 WORKBENCH RANGE

A flat pack modular workbench system with a weight capacity of 450kg UDL. All workbenches are 840mm high as standard, other heights available. All Premier workbench frames, cabinet and drawer carcasses are epoxy polyester powder coated in Mid Grey RAL 7001. All premier cabinet doors and drawers are epoxy polyester powder coated in Premier Blue.

WORKTOPS

- A = 30mm thick hardwood veneer top.
- B = 30mm thick industrial marble grey lino.
- C = 25mm thick plain cut MDF.

WORKBENCHES

L x W(mm)	Top	Code	£
1500 x 600	Veneer	PW156A	197.18
1500 x 700	Veneer	PW157A	233.65
1500 x 600	Lino	PW156B	245.78
1500 x 700	Lino	PW157B	287.13
1500 x 600	MDF	PW156C	163.35
1500 x 700	MDF	PW157C	200.26
2000 x 600	Veneer	PW126A	240.31
2000 x 700	Veneer	PW127A	284.19
2000 x 600	Lino	PW126B	301.32
2000 x 700	Lino	PW127B	360.34
2000 x 600	MDF	PW126C	209.70
2000 x 700	MDF	PW127C	250.18

ACCESSORIES

L x W(mm)	Description	Code	£
1500 x 600	Base Shelf	PW156BS	46.66
1500 x 600	Base Shelf / Mat	PW156BM	87.20
1500 x 700	Base Shelf	PW157BS	51.35
1500 x 700	Base Shelf / Mat	PW157BM	91.87
2000 x 600	Base Shelf	PW126BS	62.29
2000 x 600	Base Shelf / Mat	PW126BM	106.32
2000 x 700	Base Shelf	PW127BS	68.42
2000 x 700	Base Shelf / Mat	PW127BM	114.74

CASTOR SET (Factory Fitted)

Set of 4x rubber tyred castors fitted. 2x fixed & 2x swivel braked. (300Kg UDL capacity)

Diameter(mm)	Code	£
100	PW4SC	66.07

CABINETS

H / Drawer(mm)	Code	Shelves	Drawers	£
150	PC1	2		204.79
150	PC2	1	1	251.19
150/100	PC4		3/1	410.63

DRAWERS

H(mm)	Drawers	Code	£
150	1	PD1A	155.85
350	1	PD1B	190.61
150	2	PD2	272.72

PREMIER UNDERBENCH CABINETS

650mm high, 500mm wide & 500mm deep. All cabinets secured by semi-flush fit locking handle and come complete with perforated tool panel and adjustable shelf.

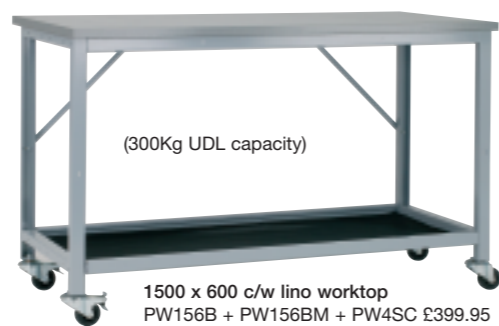
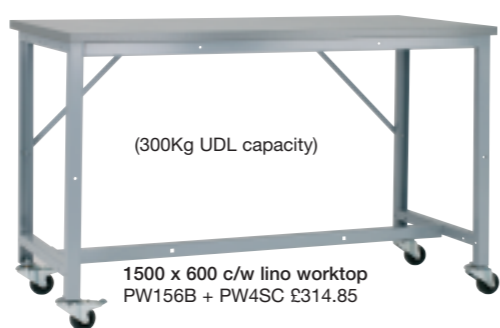
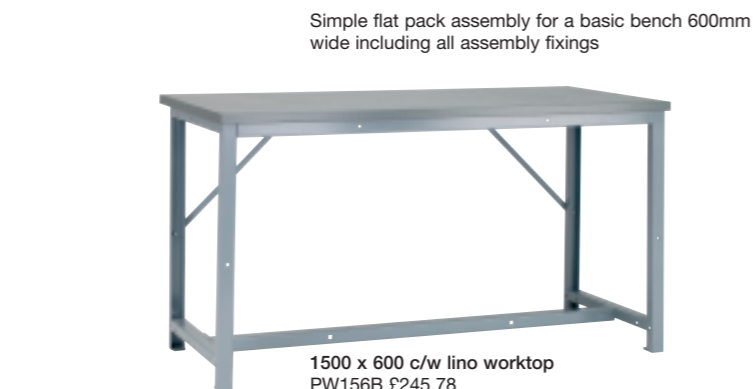


PREMIER UNDERBENCH DRAWERS

500mm wide x 500mm deep. PD1A = 225mm high PD1B = 425mm high All drawers are mounted on precision ball bearing telescopic slides (capacity 40kg UDL)



PREMIER 1 WORKBENCH RANGE



All cabinets & drawers have central locking facility and are manufactured from 0.9mm thick steel sheet.



450KG UDL
Construction from fabricated steel section with welded leg supports and multi position cross rail.